

# Film Dispenser

AN INDUSTRIAL-GRADE AUTOMATIC PROTECTIVE FILM DISPENSER

**EdgeTec**  
AUTOMATION



## EdgeTec's Protective Film Dispenser is an industrial-grade film dispenser for protective films and foil tapes, up to 15" in width.

The Protective Film Dispenser helps high-volume production lines and operations reduce protective film waste by dispensing exact lengths of material, within a tolerance of  $\pm 1/16"$ .

At the press of a button, the machine's electric motor engages the rollers and smoothly dispenses the desired amount of material. No wrinkles, creases or distortions! The operator pulls the material against inset blades to tear the material free.

The machine's industrial touchscreen interface allows for intuitive operation. The operator can easily swap between ten user-defined lengths. The machine also features a manual dispense function for situations when a unique amount of material is quickly needed.

10

Set up to 10 user-defined lengths.



Easy to learn.  
Quick to operate

## Protective Film Dispenser

**Minimum length dispensable, 2"**  
No limit on maximum length.

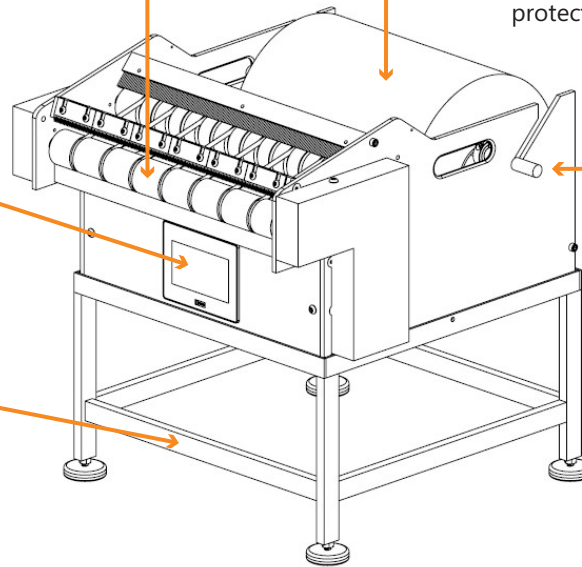
**Accommodates roll widths from 2" - 15"**  
Works with machine-length rolls of protective film and foil tapes.

**Industrial Touch Screen**  
A simple, intuitive user interface and easy swapping between 10 user-defined lengths.

**Accepts tapes with a core size down to 0.75 inches.**

**\*Machine Stand**  
Custom machine stands can be created for any height or workspace, for freestanding or tabletop operation.

**Work Anywhere**  
The Film Dispenser can be freestanding, operated on a tabletop or mounted to a wall.



### Protective Film Dispenser Specifications

<b>Machine Type</b>	A variable-length automatic film dispensing machine. Up to 10 user-defined lengths can be placed into the system.
<b>Working Speed</b>	20 ft/min
<b>Machine Weight</b>	42 lbs
<b>Machine Dimensions</b> (L x W x H)	20.25" x 19.5" x 12.25"
<b>Programming</b>	Machine programming is designed specifically for the customer to provide the easiest operation.
<b>Electrical Requirements</b>	110 VAC, 50/60Hz, 1 Phase or 220 VAC, 50/60Hz, 1 Phase
<b>Customization</b>	Each machine is custom built, modifications to size can be made to fit your needs.

### Film Specifications

<b>Minimum Size</b> (L x W x Thickness)	2" x 2.5" x 0.1mm
<b>Maximum Size</b> (L x W x Thickness)	99' x 15" x ~3mm
<b>Material Styles</b>	Protective Film, Foil Tape
<b>Minimum Tape Core Size</b>	0.75 inches